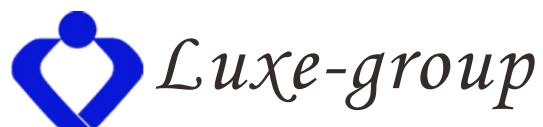




Hose Reels



我们正在为做流体技术行业典范而努力。
We are becoming the modle of Fluid Technclogy.



Luxe-group
璐克斯集团

Stainless Steel Spring Retractable Reels

Air/Water/Oil -3/8", 1/2", 3/4", 1" I D.

Reelcraft's stainless steel hose reels are ideal for food processing, pre-rinse, wash down, chemical transfer and industrial-solvent handling. Also suitable for coastal, off shore and on-board ship in marine applications where the harsh environment of salt water spray requires the use of stainless steel hose reels. Swivels include Viton O-rings. Buna seals are available for water applications by adding a -B at the end of the model number.

Note: Standard latch parts are made from aluminium. Series 80000 and D80000 stainless reels have an aluminum fluid path. Stainless latch parts and fluid path are available as a standard option by placing a -S at the end (example: OLS-S). Carbon steel reels with stainless steel fluid path are available as standard.



LC607 OLS



D9300 OLSBW

Features

Full-flow stainless steel shaft and swivel assures maximum product delivery. **Exception:** Series 80000 only on OLS-S models.

Heavy duty brackets eliminate bending due to angular hose pull.

Nylon guide rollers reduce hose drag and abrasion.

Vibration-proof self-locking fasteners assures assembly integrity.

304L stainless steel

Model without hose & bumper	Shipping Weight		Hose I.D.		Hose O.D.		Hose Length		Pressure		NPT(F) Outlet	NPT(F) Inlet	Size Index Page	Size Index #
	lbs	kg	in	mm	in	mm	ft	m	psi	bar	in	in		
5600 OLS	22	10	3/8	10	0.600	15	35	11	500	35	3/8	3/8	9	2
5600 OMS	24	11	3/8	10	0.710	18	30	9	3000	207	3/8	3/8	9	2
LC607 OLS*	35	16	3/8	10	0.600	15	70	21	300	21	1/4	1/4	refer to reelcraft.com	
LC800 OLS*	33	15	1/2	13	0.750	19	50	15	300	21	1/2	1/2	10	
7800 OLS	41	19	1/2	13	0.750	19	50	15	500	35	1/2	1/2	10	
7600 OMS55	42	19	3/8	10	0.710	18	66	20	3000	207	3/8	3/8	10	
7800 OMS	43	20	1/2	13	0.850	22	50	15	3000	207	1/2	1/2	10	
82000 OLS	81	37	1/2	13	0.750	19	100	30	500	35	1/2	1/2	13	1
82000 OMS	83	38	1/2	13	0.850	22	75	23	1500	103	1/2	1/2	13	1
83000 OLS	81	37	3/4	19	1.188	30	50	15	500	35	3/4	3/4	13	1
83000 OMS	83	38	3/4	19	1.188	30	50	15	1250	86	3/4	3/4	13	1
D83000 OLS	84	38	3/4	19	1.188	30	75	23	500	35	3/4	3/4	13	2
D84000 OLS	92	42	1	25	1.375	35	50	15	500	35	1	1	13	3
D9200 OLSBW	115	52	1/2	13	0.750	19	75	23	500	35	1/2	1/2	15	1
D9300 OLSBW	116	53	3/4	19	1.188	30	75	23	500	35	3/4	3/4	15	1
D9400 OLSBW	117	53	1	25	1.375	35	50	15	500	35	1	1	15	1
D9200 OMSBW	118	54	1/2	13	0.850	22	75	23	3000	207	1/2	1/2	15	1
D9300 OMSBW	118	54	3/4	19	1.188	30	50	15	3000	207	3/4	3/4	15	1



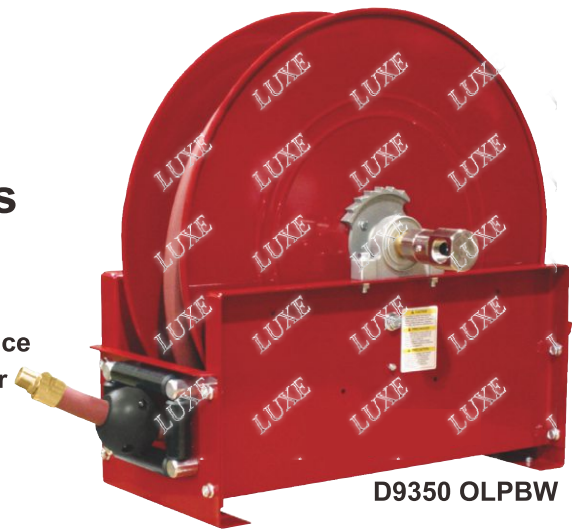
Add: G320 New Century Industrial Park, Gao' an, City, Jiangxi, 330800 China
http://www.Luxe-group.cn Luxe@Luxe-group.cn Tel:0086-795-7066681 Fax:0086-795-7066682



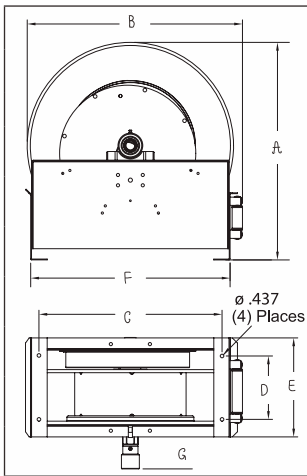
Ultimate Duty Spring Retractable Reels

Air/Water/Oil/Grease 3/8", 1/2," 3/4," 1," 1 1/4", 1 1/2" I.D.

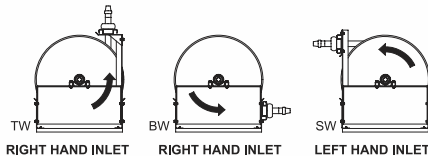
Series 9000 mobile base reels offer the greatest amount of stability for high volume air, water, diesel fuel and gasoline. Ideal for portable service trucks, permanent service or plant work areas. A durable baked-on powder coat finish produces a rugged corrosion resistant product suitable for a wide variety of heavy duty applications. Basic reels without hose will handle air, water or oil; consult Reelcraft for other applications.



D9350 OLPBW



Hose Guide Roller Position



RIGHT HAND INLET RIGHT HAND INLET LEFT HAND INLET
A suffix code (see diagram) must be added after the model number to specify desired position. Reels are shipped in the BW position unless specified otherwise. FF9500/9600 in BW only.

*Series G9000 reels have an external drive spring and a removable gooseneck.

Dimensions - Size Index

	1		2		3		4	
	in	mm	in	mm	in	mm	in	mm
A	26 ³ / ₈	670	26 ³ / ₈	670	26 ³ / ₈	670	26 ¹ / ₄	667
B	26 ¹ / ₄	667	26 ¹ / ₄	667	26 ¹ / ₄	667	25	635
C	22 ¹ / ₄	565	22 ¹ / ₄	565	22 ¹ / ₄	565	22	559
D	7 ³ / ₄	197	13 ¹ / ₂	343	7 ³ / ₄	197	9 ¹ / ₂	241
E	12	305	17 ³ / ₄	451	13 ³ / ₈	340	17 ¹ / ₄	438
F	24 ¹ / ₈	121	24 ¹ / ₈	613	24 ¹ / ₈	613	24 ¹ / ₄	616
G	4 ³ / ₄	613	37 ⁵ / ₈	98	4 ¹ / ₂	114	37 ⁵ / ₈	98

Model without hose & bumper	Shipping Weight		Hose I.D.		Hose O.D.		Hose Length		**Max Pressure		NPT(M) Hose Outlet	NPT(F) Reel Inlet	Size Index Page	Size Index #
	lbs	kg	in	mm	in	mm	ft	m	psi	bar				
D9275 OLP	122	55	1/2	13	0.750	19	75	23	300	21	1/2	1/2		2
D9299 OLP	127	58	1/2	13	0.750	19	100	30	300	21	1/2	1/2		2
D9350 OLP	140	64	3/4	19	1.075	27	50	15	250	17	3/4	3/4		
D9375 OLP	152	69	3/4	19	1.075	27	75	23	250	17	3/4	3/4		
D9399 OLPBW	143	65	3/4	19	1.075	27	100	30	250	17	3/4	3/4		
D9450 OLP	157	71	1	25	1.375	35	50	15	250	17	3/4	1		
D9465 OLPBW	164	74	1	25	1.375	35	65	20	250	17	3/4	1		
D9200 OLP	115	52							500	35				1
D9205 OLP	115	52							500	35				1
D9300 OLP	115	52							500	35				1
D9300 OLP	115	52							500	35				1
D9305 OLPBW	115	52							500	35				3
D9400 OLP	115	52							500	35				1
D9405 OLPBW	115	52							500	35				3
FF9500 OLPBW	125	57							600	41				2
FF9600 OLPBW	135	61							600	41				2
D9275 OMP	131	59	1/2	13	0.820	21	75	23	3000	207	1/2	1/2		
D9350 OMP	142	64	3/4	19	1.188	30	50	15	1250	86	3/4	3/4		
E9450 OMP	160	73	1	25	1.480	38	50	15	3000	207	1	1		1
D9200 OMP	117	53							3000	207				1
D9300 OMP	117	53							3000	207				1
E9400 OMP	120	54							3000	207				
D9175 OHP	153	69	3/8	10	0.730	19	75	23	4800	331	3/8	1/2		
D9100 OHP	118	54							5000	345				1



我们正在为做流体技术行业典范而努力。
We are becoming the modle of Fluid Technclogy.



Luxe-group
璐克斯集团

Heavy Duty Single Wrap Reels

Petroleum / Aviation Fuel Service

1 1/2", 2" or 3" fluid path for 1 3/8" through 3" I.D. hose

Rewind: Chain and sprocket drive powered by A.C. or D.C. electric motor, compressed air motor or hydraulic motor.

Inlet: 2" grooved fitting is standard for 1" through 2" ID hose. 3" grooved fitting is standard for 2 1/2" and 3" ID hose. 1 1/2", 2" and 3" NPT or BSPP available. 90° inlets available.

Gooseneck: 1 1/2", 2" and 3" NPT or BSPP. Specify male or female threads for gooseneck.

Brakes and locks: Air operated caliper brake and idler assembly is standard. Manual friction brake optional.

Materials: Standard frame and spool assembly are made of heavy duty steel construction Also available in aluminum. The standard color for this series is red or gray.

Operating pressure: 300 psi maximum. Reels to operate at other pressure ratings available at extra cost. Consult manufacturer.

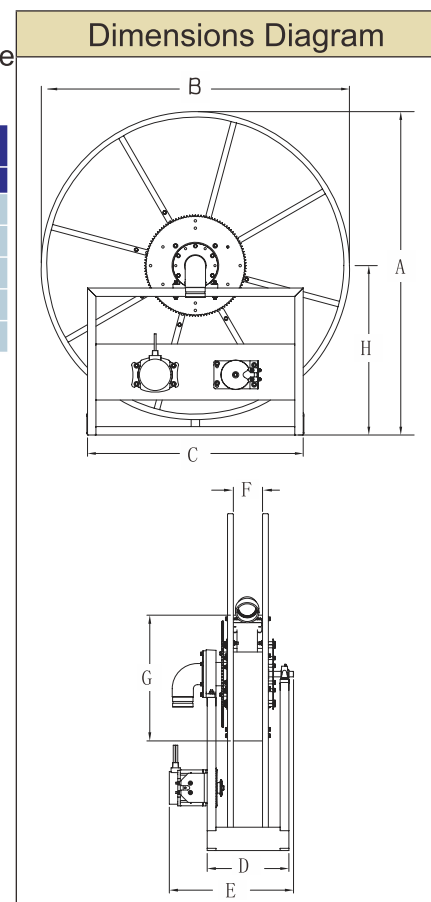
Operating temperatures: Maximum 400 °F (204 °C) / minimum -50 °F (-46 °C). Reels that are to operate at other temperature ratings are available at extra cost, consult manufacturer.



Model	Hose Length										A		B		C		H	
	ft	m	ft	m	ft	m	ft	m	ft	m	in	mm	in	mm	in	mm	in	mm
6000-47	55	17	80	24	100	30	125	38	150	46	48.5	1232	47	1194	38.5	978	25	635
6000-55	50	15	75	23	100	30	120	37	140	43	55.75	1416	55	1397	38.5	978	28.25	718
6000-62	30	9	50	15	70	21	85	26	100	30	62.75	1594	62	1575	38.5	978	31.75	806
6000-68	25	8	40	12	50	15	70	21	80	24	68.75	1746	68	1727	38.5	978	34.75	883
6000-72	20	6	35	11	50	15	60	18	70	21	72.75	1848	72	1829	38.5	978	36.75	933

Dimensions

Hose I.D.	D		E		F		G	
	in	mm	in	mm	in	mm	in	mm
1 3/8"	12	305	18.5	470	2.5	64	18	457
1 1/2"	12	305	18.5	470	2.5	64	18	457
2"	12	305	18.5	470	3.5	89	24	610
2 1/2"	13	330	19.5	495	3.5	89	24	610
3"	14	356	20.5	521	4.5	114	24	610



Add: G320 New Century Industrial Park, Gao' an, City, Jiangxi, 330800 China
http://www.Luxe-group.cn Luxe@Luxe-group.cn Tel:0086-795-7066681 Fax:0086-795-7066682