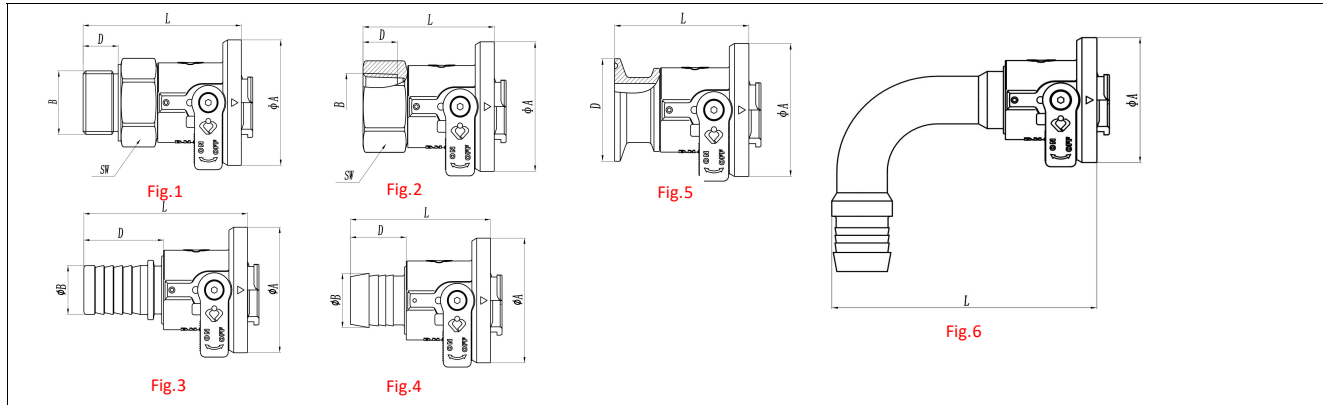


TLOK-S

Data center cooling coupling / Symmetrical interlocking fully openable quick coupling

Patented



Name	Size	Code No.	Ball Size		B	Type	ø A		L		D		SW		Material	Fig.
			mm	in			mm	in	mm	in	mm	in				
Tlok-S25-G3/4" AG SS	1"	L2313001	20	0.787	G3/4"-14	Male BSPP	65	2.559	85.8	3.378	19	0.748	41	1.614	304	Fig.1
Tlok-S25-G1" AG SS	1"	L2313002	20	0.787	G1"-11	Male BSPP	65	2.559	85.8	3.378	19	0.748	41	1.614	304	
Tlok-S25-1 5/16-12 UNF AG SS	1"	L2313003	20	0.787	1 5/16"-12-UNF	Male ORB	65	2.559	85.8	3.378	19	0.748	60	2.362	304	
Tlok-S25-1"NPT AG SS	1"	L2313004	20	0.787	1"NPT-11.5	Male NPT	101	3.976	115	4.528	20	0.787	41	1.614	304	Fig.2
Tlok-S25-G3/4" IG SS	1"	L2313005	20	0.787	G3/4"-14	Female BSPP	65	2.559	68.8	2.709	18	0.709	41	1.614	304	
Tlok-S25-G1" IG SS	1"	L2313006	20	0.787	G1"-11	Female BSPP	65	2.559	68.8	2.709	18	0.709	41	1.614	304	
Tlok-S25-1 5/16-12 UNF IG SS	1"	L2313007	20	0.787	1 5/16"-12-UNF	Female ORB	65	2.559	68.8	2.709	18	0.709	60	2.362	304	Fig.4
Tlok-S25-1"NPT IG SS	1"	L2313008	20	0.787	1"NPT-11.5	Female NPT	65	2.559	80.8	3.181	20	0.787	41	1.614	304	
Tlok-S25-28.5SW SS	1"	L2313009	20	0.787	28.5	Hose	65	2.559	75.3	2.965	30	1.181			304	
Tlok-S25-25.5S SS	1"	L2313010	20	0.787	25.5	Hose	65	2.559	87.4	3.441	43	1.693			304	Fig.3
Tlok-S25-50.5TC SS	1"	L2313011	20	0.787	NA	Sanitary Flange 1"	65	2.559	68.8	2.709	50.5	1.988			304	Fig.5
Tlok-S50-G11/2" AG SS	2"	L2313012	38	1.496	G11/2"-11	Male BSPP	101	3.976	115	4.528	20	0.787	70	2.756	304	Fig.1
Tlok-S50-G2" AG SS	2"	L2313013	38	1.496	G2"-11	Male BSPP	101	3.976	115	4.528	20	0.787	70	2.756	304	
Tlok-S50-11/2"NPT AG SS	2"	L2313014	38	1.496	11/2"NPT-11.5	Male NPT	101	3.976	115	4.528	20	0.787	70	2.756	304	
Tlok-S50-2"NPT AG SS	2"	L2313015	38	1.496	2"NPT-11.5	Male NPT	101	3.976	115	4.528	20	0.787	70	2.756	304	Fig.2
Tlok-S50-G11/2" IG SS	2"	L2313016	38	1.496	G11/2"-11	Female BSPP	101	3.976	99	3.898	24	0.945	70	2.756	304	
Tlok-S50-G2" IG SS	2"	L2313017	38	1.496	G2"-11	Female BSPP	101	3.976	117.5	4.626	24	0.945	70	2.756	304	
Tlok-S50-11/2"NPT IG SS	2"	L2313018	38	1.496	11/2"NPT-11.5	Female NPT	65	2.559	68.8	2.709	20	0.787	70	2.756	304	Fig.4
Tlok-S50-2"NPT IG SS	2"	L2313019	38	1.496	2"NPT-11.5	Female NPT	101	3.976	99	3.898	20	0.787	70	2.756	304	
Tlok-S50-50.5SW SS	2"	L2313020	38	1.496	50.5	Hose	101	3.976	127.6	5.024	49	1.929			304	
Tlok-S50-50.5S SS	2"	L2313021	38	1.496	50.5	Hose	101	3.976	127.6	5.024	49	1.929			304	Fig.3
Tlok-S50-64TC SS	2"	L2313022	38	1.496	NA	Sanitary Flange 2"	101	3.976	99	3.898	64	2.52			304	Fig.5
Tlok-S50B-G11/2" AG SS	2"	L2313023	40	1.575	G11/2"-11	Male BSPP	101	3.976	115	4.528	20	0.787	70	2.756	304	Fig.1
Tlok-S50B-G2" AG SS	2"	L2313024	40	1.575	G2"-11	Male BSPP	65	2.559	85.8	3.378	19	0.748	70	2.756	304	
Tlok-S50B-11/2"NPT AG SS	2"	L2313025	40	1.575	11/2"NPT-11.5	Male NPT	101	3.976	115	4.528	20	0.787	70	2.756	304	
Tlok-S50B-2"NPT AG SS	2"	L2313026	40	1.575	2"NPT-11.5	Male NPT	101	3.976	115	4.528	20	0.787	70	2.756	304	Fig.2
Tlok-S50B-G11/2" IG SS	2"	L2313027	40	1.575	G11/2"-11	Female BSPP	101	3.976	99	3.898	24	0.945	70	2.756	304	
Tlok-S50B-G2" IG SS	2"	L2313028	40	1.575	G2"-11	Female BSPP	65	2.559	74.8	2.945	26	1.024	70	2.756	304	
Tlok-S50B-11/2"NPT IG SS	2"	L2313029	40	1.575	11/2"NPT-11.5	Female NPT	65	2.559	68.8	2.709	20	0.787	70	2.756	304	Fig.4
Tlok-S50B-2"NPT IG SS	2"	L2313030	40	1.575	2"NPT-11.5	Female NPT	101	3.976	99	3.898	20	0.787	70	2.756	304	
Tlok-S50B-50.5SW SS	2"	L2313031	40	1.575	50.5	Hose	101	3.976	127.6	5.024	49	1.929			304	
Tlok-S50B-50.5S SS	2"	L2313032	40	1.575	50.5	Hose	101	3.976	127.6	5.024	49	1.929			304	Fig.3
Tlok-S50B-64TC SS	2"	L2313033	40	1.575	NA	Sanitary Flange 2"	101	3.976	99	3.898	64	2.52			304	Fig.5



LUXECASTING
QUALITY LINKS THE WORLD